



IntoCare
Medical Technology

Power Your Surgery



IntoCare
Medical Technology

IntoCare Medical Technology (Suzhou) Co., Ltd
Address: 501-504#, Building NW-02, Nanopolis Suzhou,
No.99 Jinji Lake Avenue, Suzhou Industrial Park,
215000, Jiangsu, China
Tel: 86 512 62873835
Website: www.intocare.com
E-mail: sales@intocare.com

©IntoCare Medical. 20-intocare-brochure-EN-084

World's First Intelligent Powered Stapling Platform

IntoCare™ Powered Stapling Platform with E-Stapling™ Technology

World's First Intelligent Powered Stapling Platform

Redefine Surgical Stapling with Innovation

The concept of IntoCare™ Powered Stapling Platform originates from the deepest concern and consideration for patients as well as surgeons.

IntoCare™ Powered Stapling Platform is dedicated to help surgeons focus more on the treatment itself, standardize the procedure and benefit the patient with consistent clinical outcomes. Universal Powered Handle connected with different disposable staplers fully meets the surgical needs, giving surgeons flexible choice while shortening the learning curve.

IntoCare™ Powered Stapler is extraordinary not only in the exterior design, but also quality and performance. IntoCare has first-class industrial design and the first-generation products won the Golden A' Design Award in 2017. With raw material coming from top-ranking suppliers in the industry, quality is the one thing IntoCare will never compromise.

IntoCare is dedicated to redefining the surgical stapling with innovation.



Power Your Surgery

Advantages:

- **Power-Driven:**
“0” movement. Minimize tissue traction.
“0” firing force. Single-handed operation.
- **Program Control:**
“0” difference. Standardize clinical outcome.
Preset default procedure. Assist operation.
- **Unified Operation:**
Short learning curve.
Direct clear feedback.
- **Optimized Structural Design:**
Improve maneuverability.
Widen scope of application.

IntoCare™ Disposable Powered Circular Stapler



IntoCare™ Disposable Powered Endoscopic Linear Cutting Stapler



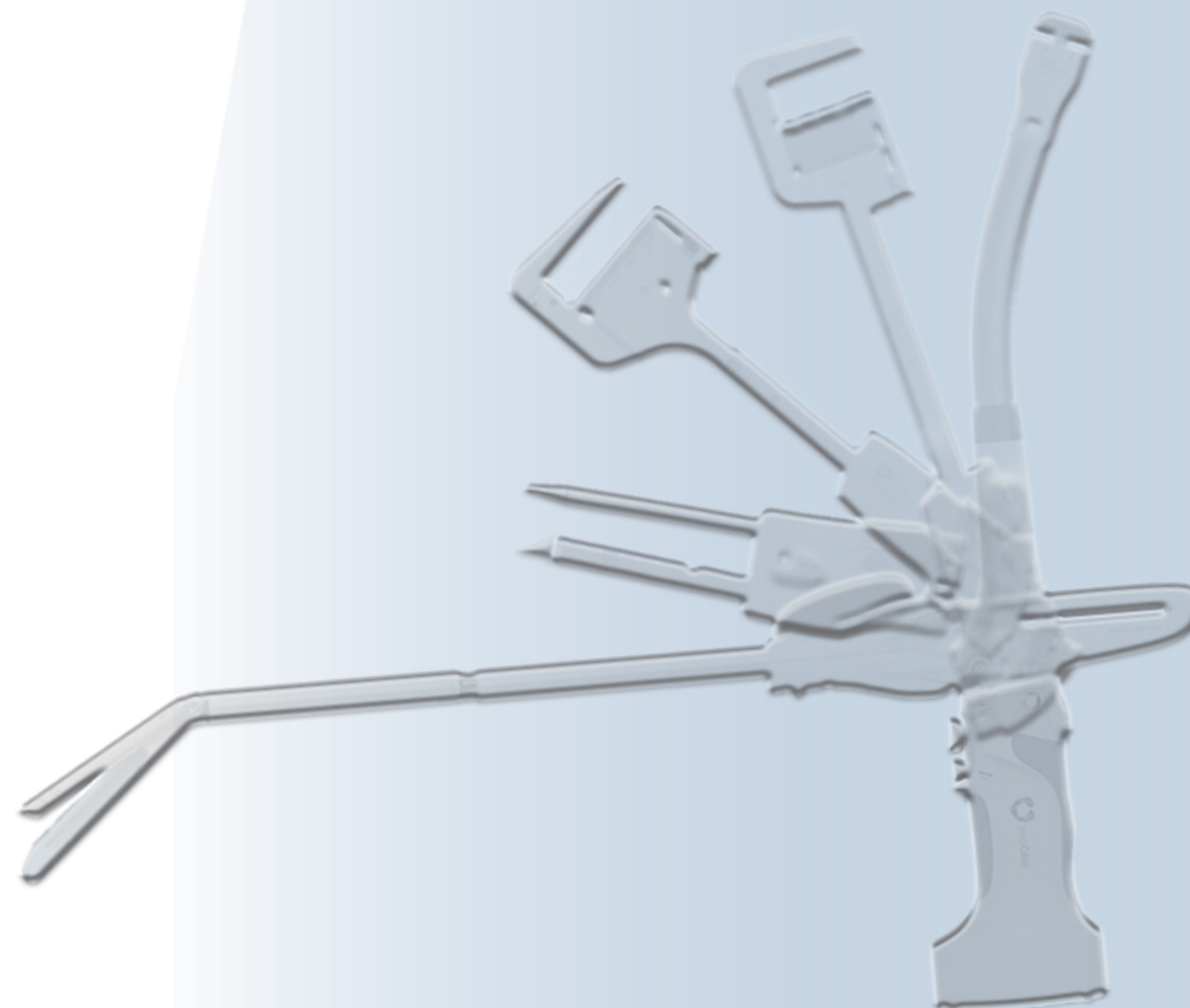
IntoCare™ Disposable Powered Linear Stapler



IntoCare™ Disposable Powered Linear Cutting Stapler (ILC)



IntoCare™ Disposable Powered Linear Cutting Stapler (SLC)



Single Use:

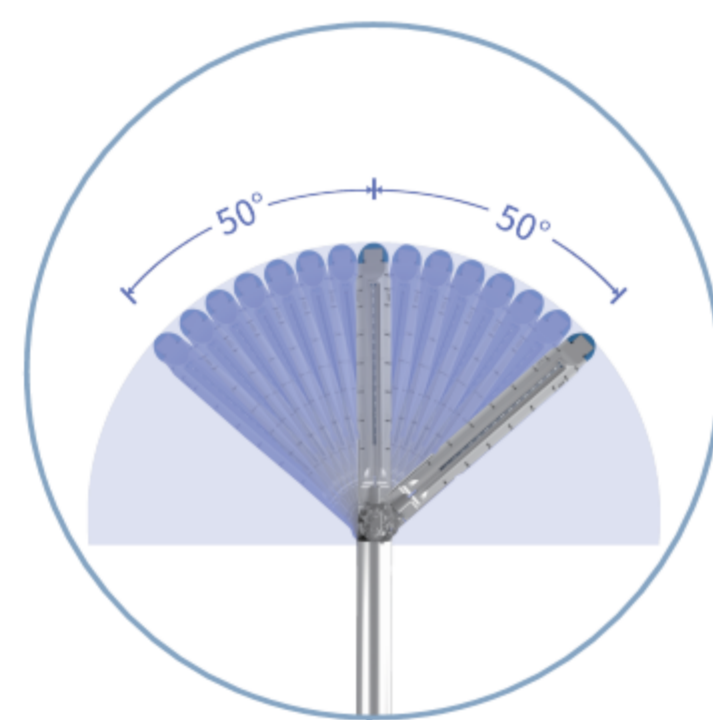
Single Patient use.
Unified control over all staplers

Reusable:

Repeatedly-used, recharged and withstand 100 times of steam sterilization.
Economic and environmental-friendly.



IntoCare™ Powered Endoscopic Linear Cutting Stapler



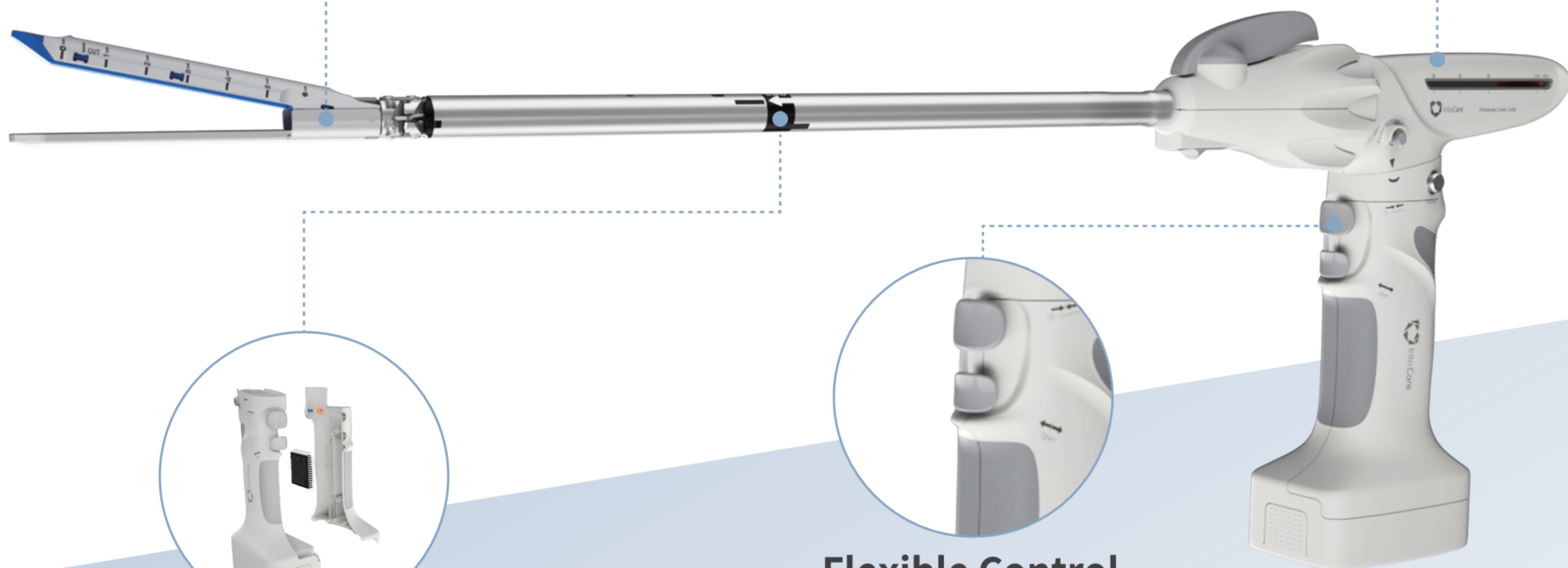
Optimized Structural Design

50° articulation and 4 stopping points on each side; Easy reach target area, better access with difficult surgical site and wider range of operation.



Real-time Display

Double feedback of the cutting length on both Firing Indicator and Reload scale in real time. Simply, direct and clear.



Intelligent Identification System

Program automatically recognizes different cartridge size and status further prevents mis-firing or second firing.



Flexible Control

Release the Close/Fire Button to stop at any point during closing and firing. Transect any length as wish. One push of the Open Button to automatically retract the blade.

Driving Unit

| Model | Shaft Length | Packaging (pc/ctn) |
|-------|--------------|--------------------|
| IECS | 65mm | 4 |
| IECM | 155mm | 4 |
| IECL | 250mm | 4 |

60mm Reload

| Model | Cartridge Color | Staple Height | Tissue Thickness | Trocar Size | Rows of Staples | Packaging (pc/box) |
|----------|-----------------|---------------|------------------|-------------|-----------------|--------------------|
| IECR60K | Black | 4.5mm | Super Thick | 15mm | 6 | 8 |
| IECR60G | Green | 4.2mm | Thick | 12mm | 6 | 8 |
| IECR60Y | Yellow | 3.8mm | Regular/Thick | 12mm | 6 | 8 |
| IECR60B | Blue | 3.5mm | Regular | 12mm | 6 | 8 |
| IECR60W2 | White | 2.5mm | Thin | 12mm | 6 | 8 |

45mm Reload

| Model | Cartridge Color | Staple Height | Tissue Thickness | Trocar Size | Rows of Staples | Packaging (pc/box) |
|---------|-----------------|---------------|------------------|-------------|-----------------|--------------------|
| IECR45K | Black | 4.5mm | Super Thick | 15mm | 6 | 8 |
| IECR45G | Green | 4.2mm | Thick | 12mm | 6 | 8 |
| IECR45Y | Yellow | 3.8mm | Regular/Thick | 12mm | 6 | 8 |
| IECR45B | Blue | 3.5mm | Regular | 12mm | 6 | 8 |
| IECR45W | White | 2.5mm | Thin | 12mm | 6 | 8 |

30mm Reload

| Model | Cartridge Color | Staple Height | Tissue Thickness | Trocar Size | Rows of Staples | Packaging (pc/box) |
|---------|-----------------|---------------|------------------|-------------|-----------------|--------------------|
| IECR30B | Blue | 3.5mm | Regular | 12mm | 6 | 8 |
| IECR30W | White | 2.5mm | Thin/Vascular | 12mm | 6 | 8 |